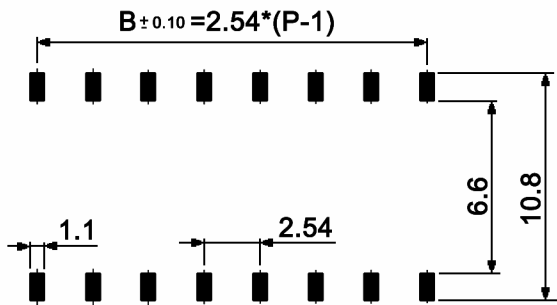
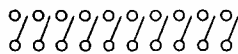


P.C.B. LAYOUT



SCHEMATIC (TYP.)



Prod. No.	No. of pos.	A	B
SBS 5101 T	1	2.44	-
SBS 5102 T	2	4.98	2.54
SBS 5103 T	3	7.52	5.08
SBS 5104 T	4	10.06	7.62
SBS 5105 T	5	12.60	10.16
SBS 5106 T	6	15.14	12.70
SBS 5107 T	7	17.68	15.24
SBS 5108 T	8	20.22	17.78
SBS 5109 T	9	22.76	20.32
SBS 5110 T	10	25.30	22.86
SBS 5112 T	12	30.38	27.94

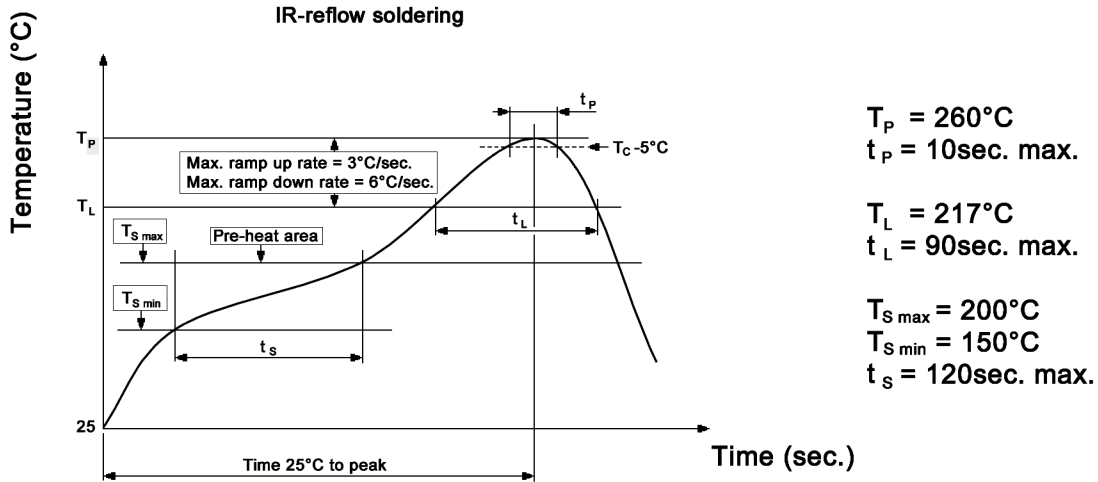
Compliance: RohS III (2015/863/EU)

Tolerances: ±0.20mm			Date	Name	<h1>SBS 51xx T</h1>
			02/05	dr	
Packaging	10/23	dr			
Temperatures	03/20	dr			
Material	10/19	dr			
Material	10/16	dr			
Soldering conditions	03/13	dr			
Operating temperature	06/10	dr	<b>knitter-switch</b>	<b>30 05 66</b>	Page
Revised	11/09	dr			1/3
Modifications	Date	Name			

**Specifications:**

**Contact rating:** 25mA, 24V DC  
**Contact resistance:** 100mOhm max.  
**Insulation resistance:** 100MOhm min.  
**Dielectric strength:** 500V AC (50Hz or 60Hz) for 1 minute  
**Operating temperature:** -40°C to +90°C  
**Storage temperature:** -40°C to +90°C  
**Operating force:** 1000gf max. (9.8N max.)  
**Mechanical life:** 2 000 cycles of operation  
**Material:** Cover / base: high-temp. thermoplastic PA-9T UL94V-0, molded black, Genestar GN2332, UL-file E90350  
 Actuator: thermoplastic LCP UL94V-0, molded white, Sumitomo E6006L, UL-file E54705  
**Terminal:** brass, gold plated  
**Contact:** copper, gold plated at contact area

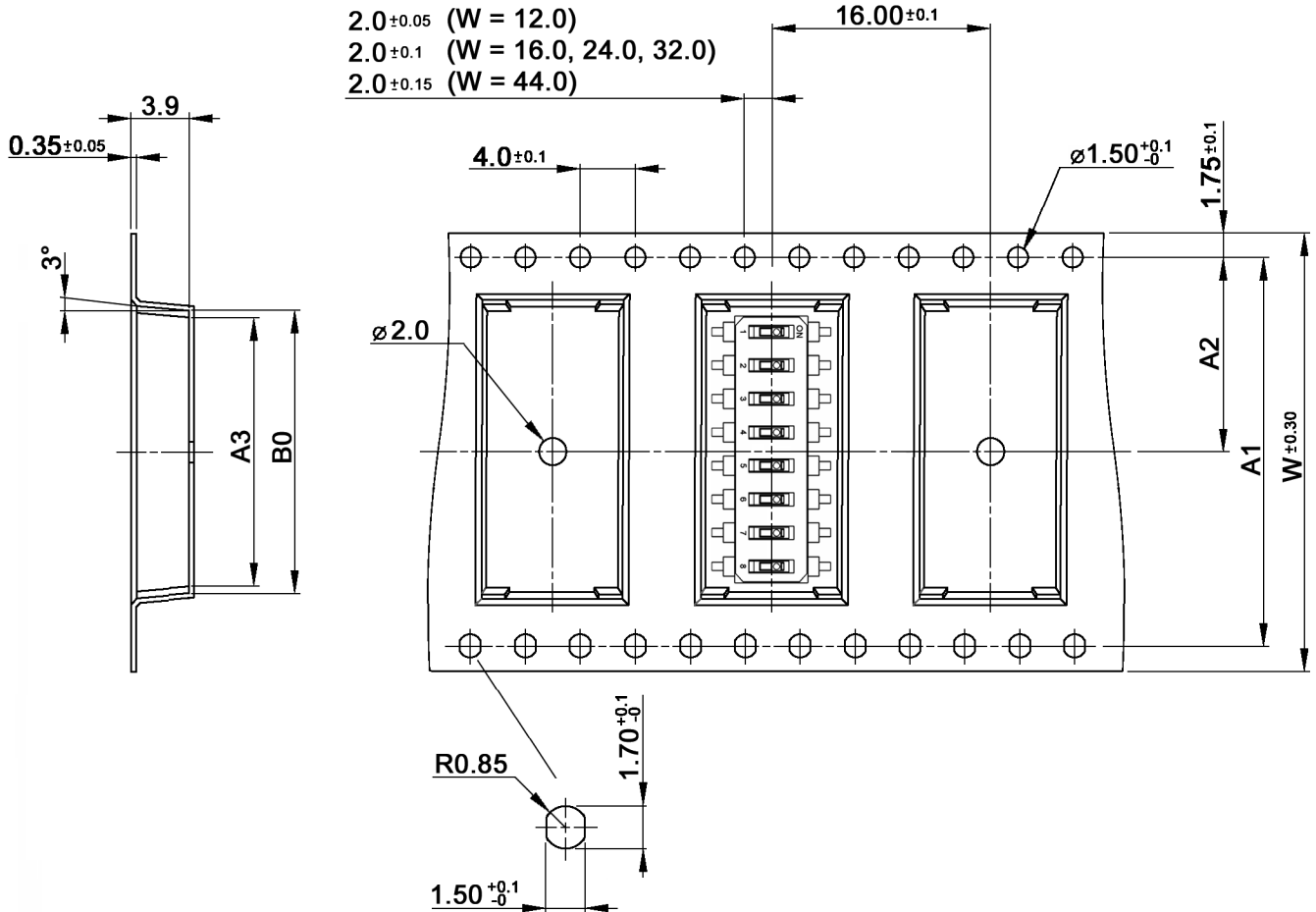
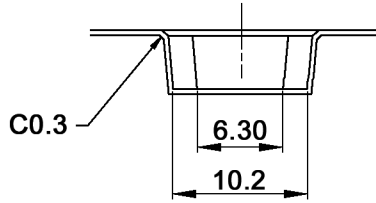
**Soldering conditions:**



Compliance: RohS III (2015/863/EU)

Tolerances: ±0.20mm			Date	Name	<b>SBS 51xx T</b>
			02/05	dr	
Packaging	10/23	dr			
Temperatures	03/20	dr			
Material	10/19	dr			
Material	10/16	dr			
Soldering conditions	03/13	dr	<b>knitter-switch</b>		<b>30 05 66</b>
Operating temperature	06/10	dr			
Revised	11/09	dr			
Modifications	Date	Name			Page 2/3

Packaging:



$2.0 \pm 0.05$  (W = 12.0)  
 $2.0 \pm 0.1$  (W = 16.0, 24.0, 32.0)  
 $2.0 \pm 0.15$  (W = 44.0)

xx	A1	A2	A3	B0	W
01	-	$5.50 \pm 0.05$	2.05	2.75	12.0
02	-	$7.50 \pm 0.1$	4.40	5.30	16.0
03	-	$7.50 \pm 0.1$	6.95	7.85	16.0
04	-	$11.50 \pm 0.1$	9.60	10.56	24.0
05	-	$11.50 \pm 0.1$	12.2	13.10	24.0
06	-	$11.50 \pm 0.1$	14.7	15.60	24.0
07	28.40	$14.20 \pm 0.1$	17.28	18.18	32.0
08	28.40	$14.20 \pm 0.1$	19.8	20.70	32.0
09	40.40	$20.20 \pm 0.15$	22.36	23.26	44.0
10	40.40	$20.20 \pm 0.15$	24.9	25.80	44.0
12	40.40	$20.20 \pm 0.15$	29.98	30.88	44.0

Packaging unit: 900 pcs. / reel  
 Compliance: RohS III (2015/863/EU)

Tolerances: ±0.20mm			Date	Name
Packaging	10/23	dr	02/05	dr
Temperatures	03/20	dr		
Material	10/19	dr		
Material	10/16	dr		
Soldering conditions	03/13	dr		
Operating temperature	06/10	dr		
Revised	11/09	dr		
Modifications	Date	Name		

**SBS 51xx T**

**knitter-switch**

**30 05 66**

Page

3/3